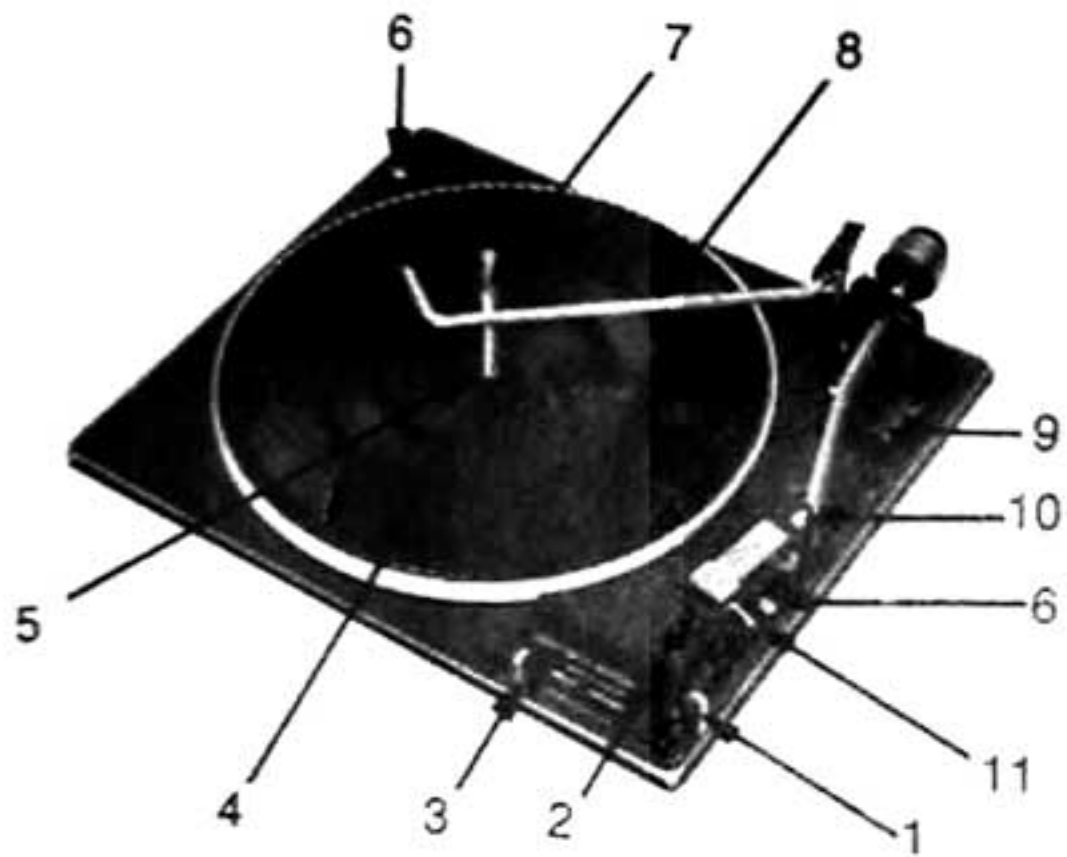




**GARRARD**

**MODEL 620S RECORD CHANGER**



## **SETTING UP TO OPERATE**

Remove the pickup stylus guard, if fitted, and check that the speed/size control (1) and stylus (2) are set to suit the records to be played. Gently spin the turntable (4)  to ensure unit is not in auto cycle before fitting record spindle (7) which must be firmly located by retaining clip (5). Also check that transit screws (6) are turned fully .

## **AUTOMATIC PLAY**

- 1** If it is in its centre position (illustrated), lift the overarm (8) and swing it to the right.
  - 2** Place records on the step of the record spindle (7) and steady them by swinging the overarm (8) into its centre position. (For a single record see the alternative below.)
  - 3** Release the pickup rest clip (10) then move the operating control (3) to 'Auto', pause and release. The control will return to 'Manual'.
  - 4** After playing the last record the pickup will return to its rest and the unit will automatically switch off. Raise the overarm (8) and swing it to the right, then lift the records clear of the spindle (7), even if replaying them.
- Reject** - Move the operating control (3) to 'Auto' (if playing a single record, or the last of a stack, immediately return the control to 'Manual').

## **SINGLE RECORD PLAY**

**Automatic** - Fit the short record spindle. Lift the overarm (8) and either swing it to the right or park it along the rear of the unit, then place the record on the turntable (4). Check settings and move the operating control (3) to 'Auto', as above. The pickup will automatically lower on to the record.

**Manual** - as **Automatic**, but move the operating control (3) to 'Manual' and place the pickup on the record by hand.

**Cue and Pause** - When playing a single record, the cue and pause control (9) may be used to raise or lower the pickup at any selected point, or temporarily interrupt play. To raise the pickup, lift the cue and pause control (9) then position the pickup manually, if required. To gently lower the pickup, slowly lower the control (9).


A technique of lifting the control just sufficiently for the stylus to clear any warp on a record allows a shorter descent time and greater precision in aligning the stylus over the selected record groove.

**Repeat** - Move the operating control (3) to 'Auto'.

**STOP**

Move the operating control (3) to 'Off' and clip the pickup arm (11) to its rest by hand

**NOTE**

Make sure that at least one record is either on the record spindle (7) or turntable (4) before moving the operating control (3) to 'Auto' and do not leave the records on the unit when not in use. Store and clean records as recommended by the makers and keep the pickup stylus (2) free of dust build-up. If transporting the unit, turn screws (6) fully . Clip the pickup to its rest.

## **MAINTENANCE**

Before making adjustments, disconnect the power supply and protect the stylus.

## **TO REMOVE TURNTABLE**

Withdraw the record spindle and carefully take out the centre disc from the turntable mat, then remove the turntable retaining clip, noting the location and lift off the turntable.

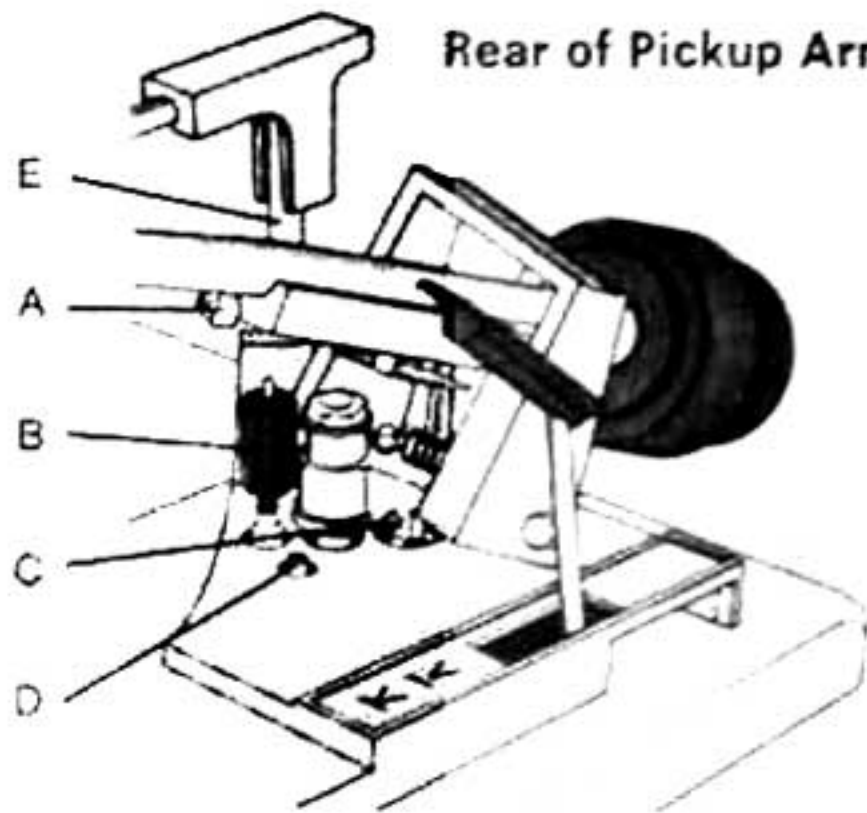
## **LUBRICATION**

When the need is apparent, remove the turntable and apply a drop of fine machine oil to the bearings of the rubber intermediate wheel, motor and turntable. Keep oil away from driving surfaces. The overarm must lower freely. If it does not, clean and oil it at point (E).

## **ADJUSTMENTS**



Before making adjustments disconnect the power supply and protect the stylus.

**Rear of Pickup Arm raised**









### **PICKUP LOWERING POSITION**



Turn screw (C)  to move inwards,  to move outwards.

### **PICKUP LIFT ADJUSTMENT**

Turn nut (B)  to lower,  to raise.

**Pickup Cueing Height** - The height the pickup is raised depends on how much the cue and pause control is lifted, but with the control fully lifted this height must not be greater than when the pickup lifts automatically. If necessary, turn screw (D)  to increase pickup cueing height,  to lower.

### **STYLUS FORCE ADJUSTMENT**

Turn screw (A)  to decrease force,  to increase. The anchorage of the stylus force spring beneath the arm can also be adjusted, should extra adjustment ever be required. Check force with a Stylus Force Gauge.

## **Model 620s Record Changer**

- \* New low-mass 'S' shape pickup arm.
- \* Plays up to eight records pre-selected for 10-78, 7-45, 7-33 or 12-33 (size and speed), according to the pickup cartridge fitted.
- \* Plays single records manually or to the above settings automatically.
- \* Rejects records and allows single record repeat
- \* Switches off automatically at the end of a single record, or the last of a stack, with the pickup returning to its rest.
- \* Cue and pause facility.

A short record spindle is supplied and an adaptor for large hole records is available as an optional extra for playing a single record.

For playing a stack of large hole records, spindle F.45 is available.

*Garrard*

---

A Plessey Company

**GARRARD ENGINEERING LIMITED**

SALES SERVICE DEPT. KEMBREY STREET SWINDON  
WILTSHIRE ENGLAND Telephone (0793) 693471